



# REALTEK

## RTL8821CU-CG

**Single-Chip IEEE 802.11a/b/g/n/ac 1T1R  
WLAN with Integrated Bluetooth 2.1/4.2 with  
USB 2.0 Interface**

### DATASHEET

(CONFIDENTIAL: Development Partners Only)

Rev. 0.2r5 , Jun, 2016

Track ID:



Realtek Semiconductor Corp.

No. 2, Innovation Road II, Hsinchu Science Park, Hsinchu 300, Taiwan

Tel.: +886-3-578-0211. Fax: +886-3-577-6047

[www.realtek.com](http://www.realtek.com)

## **COPYRIGHT**

© 2016 Realtek Semiconductor Corp. All rights reserved. No part of this document may be reproduced, transmitted, transcribed, stored in a retrieval system, or translated into any language in any form or by any means without the written permission of Realtek Semiconductor Corp.

## **DISCLAIMER**

Realtek provides this document “as is”, without warranty of any kind. Realtek may make improvements and/or changes in this document or in the product described in this document at any time. This document could include technical inaccuracies or typographical errors.

## **TRADEMARKS**

Realtek is a trademark of Realtek Semiconductor Corporation. Other names mentioned in this document are trademarks/registered trademarks of their respective owners.

## **USING THIS DOCUMENT**

This document is intended for the software engineer’s reference and provides detailed programming information.

Though every effort has been made to ensure that this document is current and accurate, more information may have become available subsequent to the production of this guide.

## **REVISION HISTORY**

<b>Revision</b>	<b>Release Date</b>	<b>Summary</b>
0.1	2016/02/02	Preliminary release.
0.2r05	2016/6/20	Modify general description and features
02r07	2016/8/16	Modify general description and features

---

## Table of Contents

---

<b>1. GENERAL DESCRIPTION</b> .....	<b>1</b>
<b>2. FEATURES</b> .....	<b>3</b>
<b>3. APPLICATION DIAGRAMS</b> .....	<b>6</b>
3.1. 11AC DUAL-BAND 1X1 RF APPLICATION.....	6
<b>4. PIN ASSIGNMENTS</b> .....	<b>7</b>
4.1. PACKAGE IDENTIFICATION.....	7
<b>5. PIN DESCRIPTIONS</b> .....	<b>8</b>
5.1. POWER ON TRAP PIN.....	8
5.2. USB TRANSCEIVER INTERFACE.....	8
5.3. EEPROM INTERFACE.....	8
5.4. RF INTERFACE.....	8
5.5. LED INTERFACE.....	9
5.6. POWER MANAGEMENT HANDSHAKE INTERFACE.....	9
5.7. PCM INTERFACE.....	10
5.8. CLOCK AND OTHER PINS.....	10
5.9. POWER PINS.....	10
<b>6. ELECTRICAL AND THERMAL CHARACTERISTICS</b> .....	<b>12</b>
6.1. TEMPERATURE LIMIT RATINGS.....	12
6.2. DC CHARACTERISTICS.....	12
6.2.1. Power Supply Characteristics.....	12
6.2.2. Digital IO Pin DC Characteristics.....	12
<b>7. INTERFACE TIMING SPECIFICATION</b> .....	<b>13</b>
7.1. USB BUS DURING POWER ON SEQUENCE.....	13
7.2. PCM INTERFACE CHARACTERISTICS.....	14
7.2.1. PCM Format.....	14
7.2.2. Sign Extension and Zero Padding for 8-Bit and 13-Bit Samples.....	14
7.2.3. PCM Interface Timing.....	15
<b>8. MECHANICAL DIMENSIONS</b> .....	<b>17</b>
8.1. MECHANICAL DIMENSIONS NOTES.....	18
<b>9. ORDERING INFORMATION</b> .....	<b>19</b>

---

## List of Tables

TABLE 1.	POWER-ON TRAP PINS .....	8
TABLE 2.	USB TRANSCEIVER INTERFACE .....	8
TABLE 3.	EEPROM INTERFACE .....	8
TABLE 4.	RF INTERFACE .....	9
TABLE 5.	LED INTERFACE.....	9
TABLE 6.	POWER MANAGEMENT HANDSHAKE INTERFACE .....	9
TABLE 7.	PCM INTERFACE.....	10
TABLE 8.	CLOCK AND OTHER PINS.....	10
<b>TABLE 9.</b>	<b>POWER PINS .....</b>	<b>11</b>
<b>TABLE 10.</b>	<b>TEMPERATURE LIMIT RATINGS.....</b>	<b>12</b>
<b>TABLE 11.</b>	<b>DC CHARACTERISTICS .....</b>	<b>12</b>
<b>TABLE 12.</b>	<b>3.3V GPIO DC CHARACTERISTICS .....</b>	<b>12</b>
<b>TABLE 13.</b>	<b>THE TYPICAL TIMING RANGE .....</b>	<b>13</b>
<b>TABLE 14.</b>	<b>DIMENSIONS NOTES.....</b>	<b>18</b>

## List of Figures

FIGURE 1.	DUAL-BAND MIMO 1X1 SOLUTION(11AC 1X1 MAC/BB/RF + PA) AND INTEGRATED BLUETOOTH CONTROLLER SOLUTION --- RTL8821CU-CG .....	6
FIGURE 2.	PIN ASSIGNMENTS.....	7
FIGURE 3.	RTL8821CU-CG USB BUS POWER ON SEQUENCE.....	13
FIGURE 4.	LONG FRAME SYNC.....	14
FIGURE 5.	SHORT FRAME SYNC .....	14
	FOR 16-BIT LINEAR PCM OUTPUT, 3 OR 8 UNUSED BITS MAY BE SIGN EXTENDED/ZERO PADDED (FIGURE 6, FIGURE 7, FIGURE 8, FIGURE 9).....	14
FIGURE 6.	16-BIT OUTPUT DATA WITH 8-BIT PCM SAMPLE DATA AND SIGN EXTENSION.....	15
FIGURE 7.	16-BIT OUTPUT DATA WITH 8-BIT PCM SAMPLE DATA AND ZERO PADDING .....	15
FIGURE 8.	16-BIT OUTPUT DATA WITH 13-BIT PCM SAMPLE DATA AND SIGN EXTENSION.....	15
FIGURE 9.	16-BIT OUTPUT DATA WITH 13-BIT PCM SAMPLE DATA AND AUDIO GAIN.....	15
	PLEASE REFER TO FIGURE 10. ....	15
FIGURE 10.	PCM INTERFACE (LONG FRAME SYNC) .....	16

# 1. General Description

The Realtek RTL8821CU-CG is a highly-integrated IEEE 802.11 a/b/g/n/ac MAC/Baseband/RF WLAN and Bluetooth Baseband/RF single chip. For Wireless LAN (WLAN) operation, it supports 1-stream 802.11ac solution with Multi-user MIMO (Multiple-Input, Multiple-Output) STA mode with USB2.0 network interface controller. For Bluetooth operation, it supports Bluetooth 2.1/4.2 with USB interface controller.

The RTL8821CU-CG baseband implements multiuser Multiple-Input Multiple-Output (MIMO) Orthogonal Frequency Division Multiplexing (OFDM) STA mode with one transmit and one receive path (1T1R). Features include one spatial stream transmission, short Guard Interval (GI) of 400ns, spatial spreading, and support for variant channel bandwidths. Moreover, RTL8821CU-CG provides one spatial stream Space-Time Block Code (STBC), Transmit Beamforming (TxBF) and Low Density Parity Check (LDPC) to extend the range of transmission. As the recipient, the RTL8821CU-CG also supports explicit sounding packet feedback that helps senders with beamforming capability.

For legacy compatibility, Direct Sequence Spread Spectrum (DSSS), Complementary Code Keying (CCK) and OFDM baseband processing are included to support all IEEE 802.11a, 802.11b and 802.11g data rates. Differential phase shift keying modulation schemes, DBPSK and DQPSK with data scrambling capability, are available. CCK provides support for legacy data rates, with long or short preamble. The high speed FFT/IFFT paths are combined with BPSK, QPSK, 16QAM, 64QAM and 256QAM modulation of the individual subcarriers. The compatible coding rate of 1/2, 2/3, 3/4, and 5/6 provides up to 433.3Mbps for IEEE 802.11ac with MIMO-OFDM.

The RTL8821CU-CG builds in an enhanced signal detector, an adaptive frequency domain equalizer, and a soft-decision Viterbi decoder to alleviate severe multi-path effects and mutual interference in the reception of multiple streams. Robust interference detection and suppression are provided to protect against Bluetooth, cordless phone, and microwave oven interference.

Receive vector diversity for multi-stream application is implemented for efficient utilization of the MIMO channel. Efficient IQ-imbalance, DC offset, phase noise, frequency offset, and timing offset compensations are provided for the radio frequency front-end.

The RTL8821CU-CG supports fast receiver Automatic Gain Control (AGC) with synchronous and asynchronous control loops among antennas, antenna diversity functions, and adaptive transmit power control functions to obtain better performance in the analog portions of the transceiver.

The RTL8821CU-CG MAC supports 802.11e for multimedia applications, 802.11i and WAPI (Wireless Authentication Privacy Infrastructure) for security, and 802.11n/ac for enhanced MAC protocol efficiency. Protocol efficiency is significantly improved by using packet aggregation techniques, such as A-MPDU

with BA and A-MSDU. Power saving mechanisms, such as Legacy Power Save, U-APSD, and MIMO, can reduce the power wasted during idle time. They can also compensate for the extra power required to transmit MIMO-OFDM. The RTL8821CU-CG provides simple legacy and 20MHz/40MHz/80MHz co-existence mechanisms to ensure backward and network compatibility.

The RTL8821CU-CG Bluetooth controller complies with Bluetooth core specification v4.2, and supports dual mode (BR/EDR + AMP + Low Energy Controllers). It is backward compatible with previous versions including v2.1 + EDR and v3.0 + HS. For BR/EDR, it can support scatternet topology up to four active links in slave mode, and seven active links in master mode. For Low Energy, it supports multiple states and allows eight active links in master mode. Both BR/EDR and LE can operate simultaneously.

## 2. Features

### General Information

- 56pins QFN
- CMOS MAC, Baseband PHY and RF in a single chip for IEEE 802.11a/b/g/n/ac compatible WLAN
- Support 802.11ac 1x1, Wave-2 compliant with MU-MIMO STA mode
- Complete 802.11n MIMO solution for 2.4GHz and 5GHz band
- Maximum PHY data rate up to 86.7Mbps using 20MHz bandwidth, 200Mbps using 40MHz bandwidth, and 433.3Mbps using 80MHz bandwidth.
- Backward compatible with 802.11a/b/g devices while operating at 802.11n data rates
- Backward compatible with 802.11a/n devices while operating at 802.11ac data rates.

### Host Interface

- Complies with USB 2.0 for WLAN and BT controller
- USB Multi-Function for both BT (USB function 0) and WLAN (USB function 1)
- USB LPM/Selective Suspend supported

### Standards Supported

- IEEE 802.11a/b/g/n/ac compatible WLAN
- IEEE 802.11e QoS Enhancement (WMM)
- IEEE 802.11i (WPA, WPA2). Open, shared key, and pair-wise key authentication services
- IEEE 802.11h DFS, TPC, Spectrum Measurement
- IEEE 802.11k Radio Resource Measurement
- WAPI (Wireless Authentication Privacy Infrastructure) certified.
- Cisco Compatible Extensions (CCX) for WLAN devices

### MAC Features

- Frame aggregation for increased MAC efficiency (A-MSDU, A-MPDU)
- Low latency immediate Block Acknowledgement (BA)
- Long NAV for media reservation with CF-End for NAV release
- PHY-level spoofing to enhance legacy compatibility
- Channel management and co-existence
- Multiple BSSID feature allows the RTL8821CU-CG to assume multiple MAC identities when used as a wireless bridge

- Transmit Opportunity (TXOP) Short Inter-Frame Space (SIFS) bursting for higher multimedia bandwidth
- WiFi Direct supports wireless peer to peer applications.
- WiFi NAN (Neighborhood Area Network) support

### Other Features

- Supports Wake-On-WLAN via Magic Packet and Wake-up frame
- Transmit Beamforming
- Support S3/S4 AES/TKIP group key update

### Peripheral Interfaces

- Up to 15 General Purpose Input/Output pins
- Three configurable LED pins (mux with GPIO pins)

### PHY Features

- IEEE 802.11ac OFDM
- IEEE 802.11n OFDM
- One Transmit and One Receive path
- 5MHz / 10MHz / 20MHz / 40MHz / 80MHz bandwidth transmission
- Support 2.4GHz and 5GHz band channels
- Short Guard Interval (400ns)
- Sounding packet.
- DSSS with DBPSK and DQPSK, CCK modulation with long and short preamble
- OFDM with BPSK, QPSK, 16QAM, 64QAM and 256QAM modulation.

- WiFi FTM (Fine Time Measurement) supported
- WiFi TDLS (Tunneled Direct Link Setup) Supported

- Support Network List Offload
- CCA on secondary through RTS/CTS handshake.
- Support TCP/UDP/IP checksum offload

- Generates 40MHz clock for peripheral chip.
- Single external power source 3.3V only

Convolutional Coding Rate: 1/2, 2/3, 3/4, and 5/6

- Maximum data rate 54Mbps in 802.11g, 150Mbps in 802.11n and 433.3bps in 802.11ac.
- Switch diversity used for DSSS/CCK
- Support STBC Receiving
- Support LDPC Transmitting
- Hardware antenna diversity
- Fast receiver Automatic Gain Control (AGC)
- On-chip ADC and DAC
- Build-in both 2.4GHz and 5GHz PA
- Build-in both 2.4GHz and 5GHz LNA



**Bluetooth Controller**

- Compatible with Bluetooth 2.1+EDR
- Support Bluetooth 4.2 system
- Integrated MCU to execute Bluetooth protocol stack
- Supports all packet types in basic rate and enhanced data rate
- Supports piconets in a scatternet
- Supports Secure Simple Pairing
- Supports Low Power Mode (Sniff/Sniff Sub-rating)
- Enhanced BT/WIFI Coexistence Control to improve transmission quality in different profiles
- Bluetooth 4.0 Dual Mode support: Simultaneous LE and BR/EDR
- Supports multiple Low Energy states

**Bluetooth Transceiver**

- Fast AGC control to improve receiving dynamic range
- Supports AFH to dynamically detect channel quality to improve transmission quality
- Integrated internal Class 1, Class 2, and Class 3 PA
- Supports Enhanced Power Control
- Supports Bluetooth Low Energy
- Integrated 32K oscillator for power management

### 3. Application Diagrams

#### 3.1. 11ac Dual-Band 1x1 RF Application

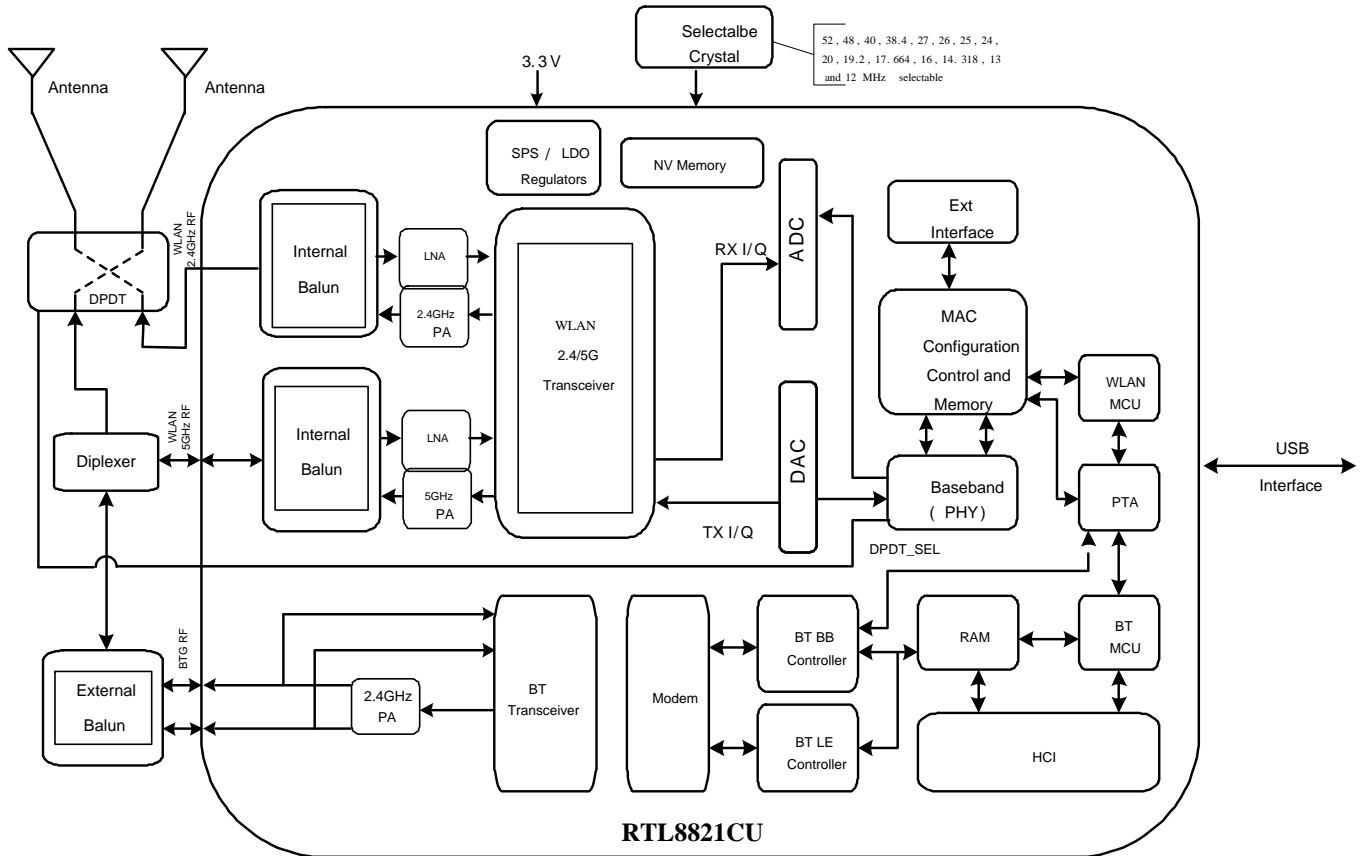


Figure 1. Dual-Band MIMO 1x1 Solution(11ac 1x1 MAC/BB/RF + PA) and Integrated Bluetooth Controller Solution --- RTL8821CU-CG

## 4. Pin Assignments

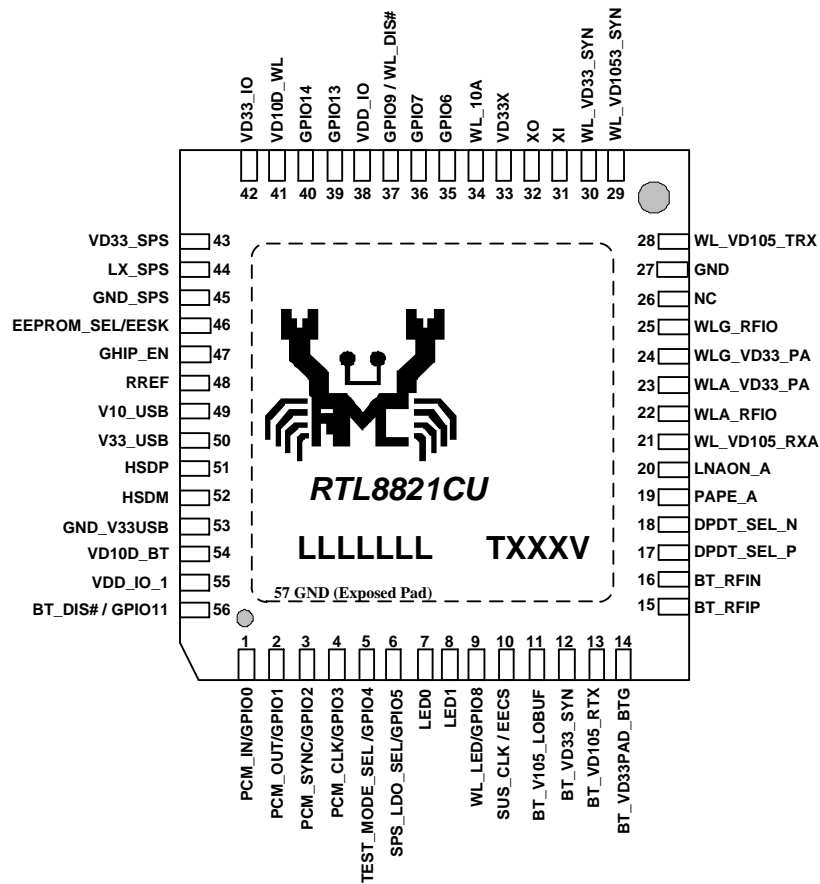


Figure 2. Pin Assignments

### 4.1. Package Identification

Figure 2, 'Green' package is indicated by a 'G'. The location marked is indicated by 'T'. The version is shown in the location marked 'V', e.g., B=Version B



Symbol	Type	Pin No	Description
BT_RFIP	I/O	15	BT/WLAN 2G RF Differential I/O P
BT_RFIN	I/O	16	BT/WLAN 2G RF Differential I/O N
DPDT_SEL_P	O	17	External DPDT CONTROL
DPDT_SEL_N	O	18	External DPDT CONTROL
PAPE_A	O	19	External 5G PAPE CONTROL
LNAON_A	O	20	External 2G LNA CONTROL
WLA_RFIO	O	22	WLAN 5G RF I/O
WLG_RFIO	O	25	WLAN 2G RF I/O

**Table 4. RF Interface**

## 5.5. LED Interface

Symbol	Type	Pin No	Description
LED0	O	7	LED Pin (Active Low)
LED1	O	8	LED Pin (Active Low)
WL_LED	O	9	LED Pin (Active Low), shared with GPIO8

**Table 5. LED Interface**

## 5.6. Power Management Handshake Interface

Symbol	Type	Pin No	Description
WL_DIS#	I	37	Shared with GPIO9. This pin can externally shut down the RTL8821CU-CG WLAN function when WL_DIS# is pulled low. When this pin is pulled low, USB interface will be disabled. This pin can also be configured as the WLAN Radio-off function with host interface remaining connected.
BT_DIS#	I	56	Shared with GPIO11. This pin can externally shut down the RTL8821CU-CG BT function when BT_DIS# is pulled Low. When this pin is pulled low, USB interface will be also disabled. This pin can be also defined as the BT Radio-off function with host interface remaining connected.
CHIP_EN	I	47	This Pin Can externally shut down the RTL8821CU-CG (No Extra Power Switch Required). When this function is not required, external pull high is required.

**Table 6. Power Management Handshake Interface**

## 5.7. PCM Interface

Symbol	Type	Pin No	Description
PCM_IN	I	1	PCM data Input, shared with GPIO0
PCM_OUT	O	2	PCM data Out, shared with GPIO1
PCM_SYNC	O	3	PCM Synchronization control, shared with GPIO2
PCM_CLK	I/O	4	PCM Clock, shared with GPIO3

**Table 7. PCM Interface**

## 5.8. Clock and Other Pins

Symbol	Type	Pin No	Description
XI	I	31	26M/40MHz OSC Input Input of 26M/40MHz Crystal Clock Reference
XO	O	32	Output of 26MHz/40MHz Crystal Clock Reference
SUS_CLK	I	10	Shared with EECS. External 32K or RTC clock input.
GPIO0	I/O	1	General Purpose Input/ Output Pin
GPIO1	I/O	2	General Purpose Input/ Output Pin
GPIO2	I/O	3	General Purpose Input/ Output Pin
GPIO3	I/O	4	General Purpose Input/ Output Pin
GPIO4	I/O	5	General Purpose Input/ Output Pin
GPIO5	I/O	6	General Purpose Input/ Output Pin
GPIO6	I/O	35	General Purpose Input/ Output Pin
GPIO7	I/O	36	General Purpose Input/ Output Pin
GPIO8	I/O	9	General Purpose Input/ Output Pin
GPIO9	I/O	37	General Purpose Input/ Output Pin
GPIO11	I/O	56	General Purpose Input/ Output Pin
GPIO13	I/O	39	General Purpose Input/ Output Pin
GPIO14	I/O	40	General Purpose Input/ Output Pin
NC		26	Not Connect

**Table 8. Clock and Other Pins**

## 5.9. Power Pins

Symbol	Type	Pin No	Description
LX_SPS	P	44	Switching Regulator Output
VD33_SPS	P	43	Switching Regulator Input Or Linear Regulator input from 3.3V to 1.5V
VD33_IO	P	42	VDD3.3V for Digital IO
VDD_IO_1	P	55	VDD for GPIO0~5 , GPIO11
VDD_IO	P	38	VDD for GPIO9.EECS,CHIP_EN,GPIO6,GPIO7,GPIO13,GPIO14

Symbol	Type	Pin No	Description
VD10D_WL	P	41	1.05V for WLAN digital power
VD10D_BT	P	54	1.05V for BT digital power
GND_SPS	P	45	Switching Regulator Ground
GND	P	27	GND
GND_V33USB	P	53	USB Ground
V10_USB	P	49	1.05V for USB
V33_USB	P	50	3.3V for USB
RREF	P	48	Precision Resistor for Bandgap
BT_VD105_RTX	P	13	VDD 1.05V for BT RF
BT_VD33PAD_BTG	P	14	VDD 3.3V for BT PAD
BT_V105_LOBUF	P	11	VDD 1.05V for BT synthesizer
BT_VD33_SYN	P	12	VDD 3.3V for BT synthesizer
WLA_VD33_PA	P	23	VDD 3.3V for WLAN PA
WLG_VD33_PA	P	24	VDD 3.3V for WLAN PA
WL_VD105_RXA	P	21	VDD 1.05V for WLAN RF
WL_VD105_TRX	P	28	VDD 1.05V for WLAN RF
WL_VD1053_SYN	P	29	VDD 1.05V for WLAN synthesizer
WL_VD33_SYN	P	30	VDD 3.3V for WLAN synthesizer
VD33X	P	33	VDD 3.3V for crystal
VD10A	P	34	VDD 1.05V for crystal

**Table 9. Power Pins**

## 6. Electrical and Thermal Characteristics

### 6.1. Temperature Limit Ratings

Parameter	Minimum	Maximum	Units
Storage Temperature	-55	+125	°C
Ambient Operating Temperature	0	70	°C
Junction Temperature	0	125	°C

Table 10. Temperature Limit Ratings

### 6.2. DC Characteristics

#### 6.2.1. Power Supply Characteristics

Symbol	Parameter	Minimum	Typical	Maximum	Units
VD33	3.3V I/O Supply Voltage	3.0	3.3	3.6	V
VD10	1.05V Core Supply Voltage	0.945	1.05	1.155	V

Table 11. DC Characteristics

#### 6.2.2. Digital IO Pin DC Characteristics

Symbol	Parameter	Minimum	Normal	Maximum	Units
V <sub>IH</sub>	Input high voltage	2.0	3.3	3.6	V
V <sub>IL</sub>	Input low voltage	--	0	0.9	V
V <sub>OH</sub>	Output high voltage	2.97	--	3.3	V
V <sub>OL</sub>	Output low voltage	0	--	0.33	V

Table 12. 3.3V GPIO DC Characteristics

\* 3.3V and 1.2V ripple < 100mV



## 7. Interface Timing Specification

### 7.1. USB Bus during Power On Sequence

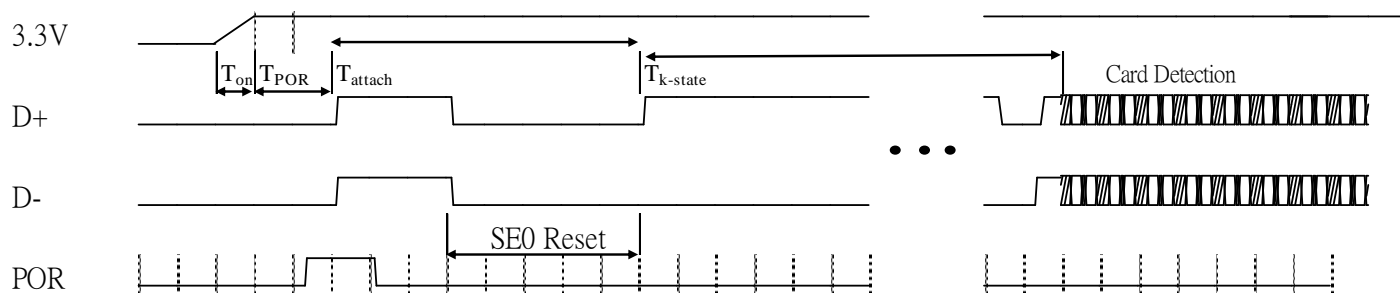


Figure 3. RTL8821CU-CG USB Bus Power On Sequence

$T_{on}$ : The main power ramp up duration

$T_{por}$ : The power on reset releases and power management unit executes power on tasks

$T_{attach}$ : USB attach state

$T_{k-state}$ : the duration from resistor attached to USB host starting card detection procedure

#### *The power on flow description:*

After main 3.3V ramp up, the internal power on reset is released by power ready detection circuit and the power management unit will be enabled. The power management unit enables the internal regulator and clock circuits.

The power management unit also enables the USB circuits.

USB analog circuits attach resistors to indicate the insertion of the USB device

$T_{on}$	ms	--	1.5	5
$T_{por}$	ms	--	2	10
$T_{attach}$	ms	2	7	15
$T_{k-stat}$	ms	50	250	--

Table 13. The typical timing range

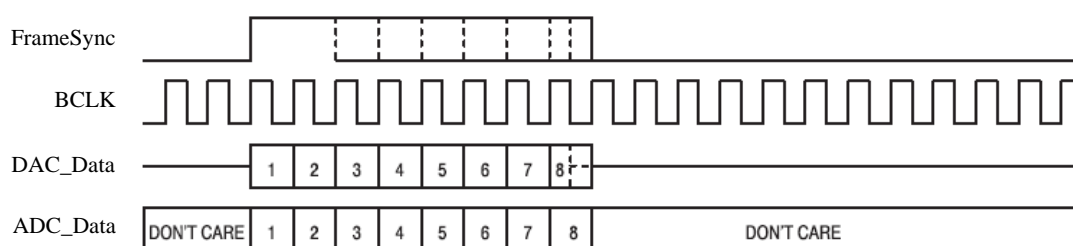
## 7.2. PCM Interface Characteristics

The RTL8821CU-CG supports a PCM digital audio interface that is used for transmitting digital audio/voice data to/from the Audio Codec. Features are supported as below:

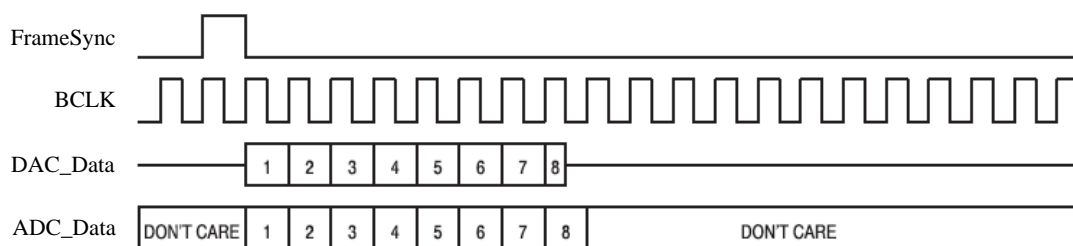
- Supports Master and Slave mode
- Programmable long/short Frame Sync
- Supports 8-bit A-law/ $\mu$ -law, and 13/16-bit linear PCM formats
- Supports sign-extension and zero-padding for 8-bit and 13-bit samples
- Supports padding of Audio Gain to 13-bit samples
- PCM Master Clock Output: 64, 128, 256, or 512kHz
- Supports SCO/ESCO link
- 

### 7.2.1. PCM Format

FrameSync is the synchronizing function used to control the transfer of DAC\_Data and ADC\_Data. A Long FrameSync indicates the start of ADC\_Data at the rising edge of FrameSync (Figure 4), and a Short FrameSync indicates the start of ADC\_Data at the falling edge of FrameSync (Figure 5).



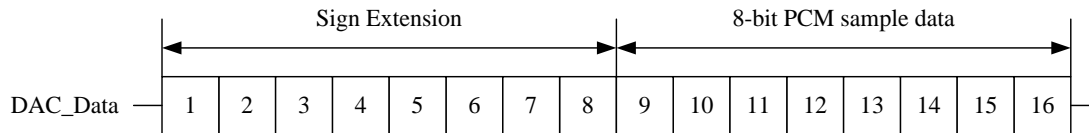
**Figure 4. Long FrameSync**



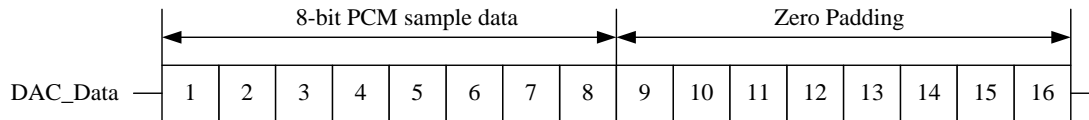
**Figure 5. Short FrameSync**

### 7.2.2. Sign Extension and Zero Padding for 8-Bit and 13-Bit Samples

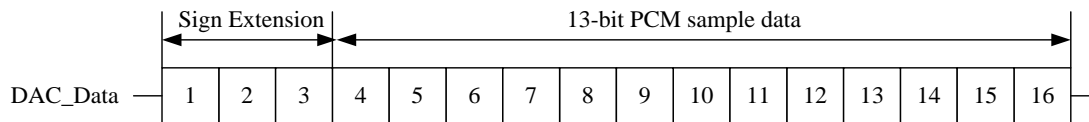
For 16-bit linear PCM output, 3 or 8 unused bits may be sign extended/zero padded (Figure 6, Figure 7, Figure 8, Figure 9)



**Figure 10. 16-Bit Output Data with 8-Bit PCM Sample Data and Sign Extension**

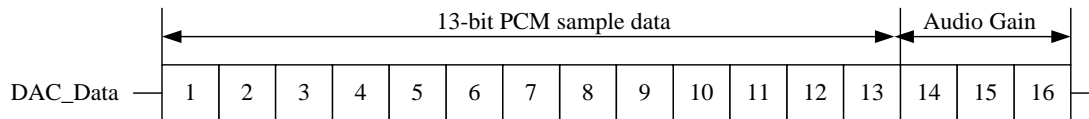


**Figure 11. 16-Bit Output Data with 8-Bit PCM Sample Data and Zero Padding**



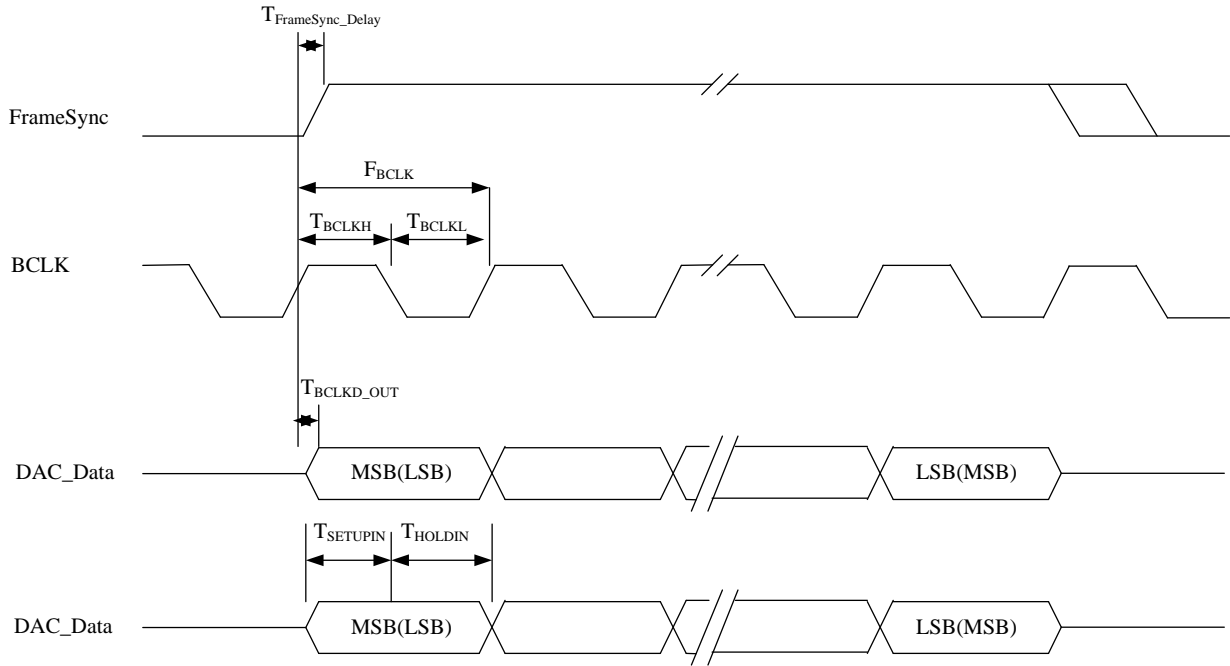
**Figure 12. 16-Bit Output Data with 13-Bit PCM Sample Data and Sign Extension**

For 16-bit linear PCM output, 3-bit programmable audio gain value can be padded to 13-bit sample data.



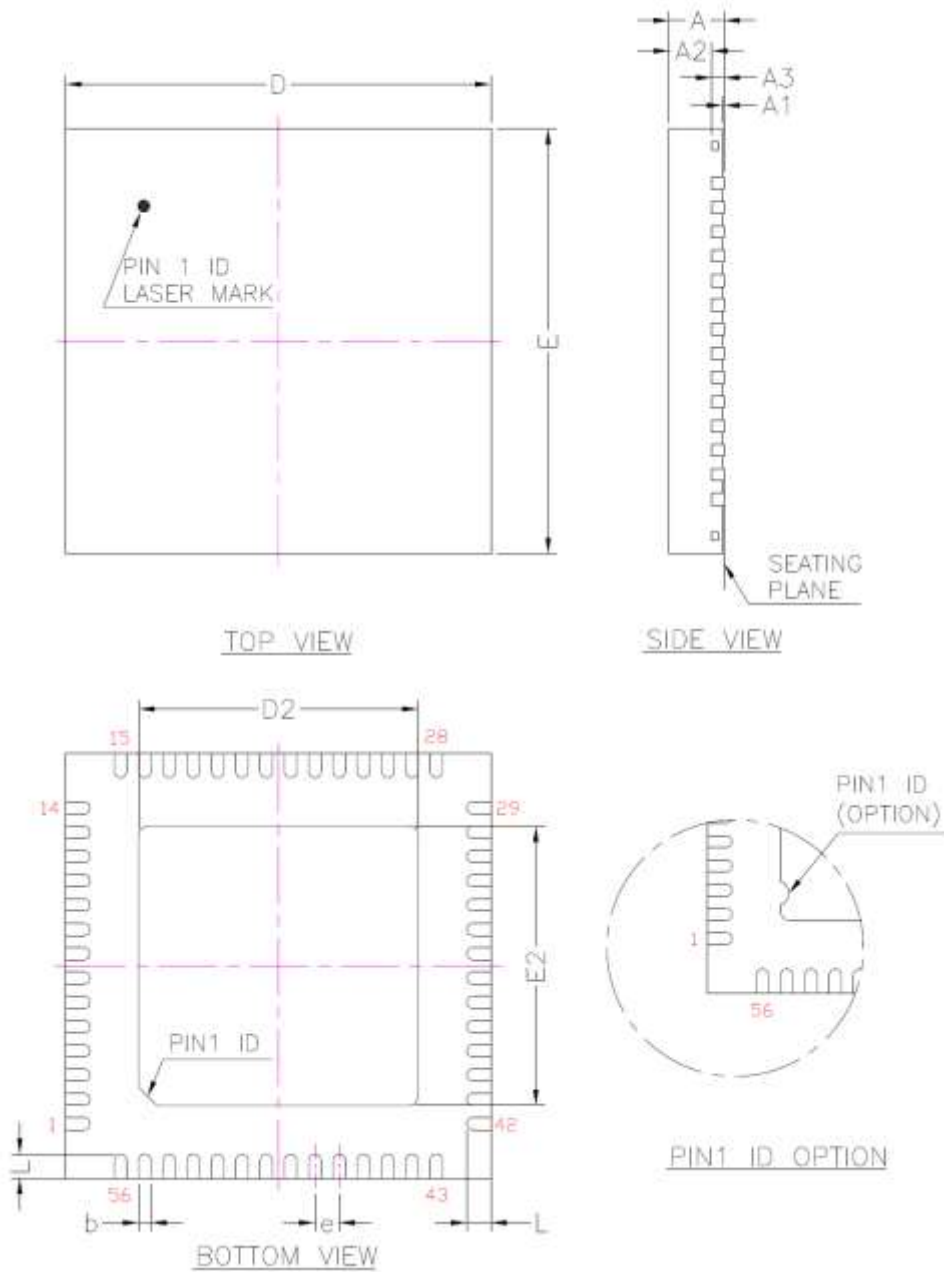
**Figure 13. 16-Bit Output Data with 13-Bit PCM Sample Data and Audio Gain**

### 7.2.3. PCM Interface Timing



**Figure 14. PCM Interface (Long FrameSync)**

## 8. Mechanical Dimensions



**Figure 11. Dimensions**

## 8.1. Mechanical Dimensions Notes

Symbol	Dimension in mm			Dimension in inch		
	Min	Nom	Max	Min	Nom	Max
A	0.80	0.85	0.90	0.031	0.033	0.035
A <sub>1</sub>	0.00	0.02	0.05	0.000	0.001	0.002
A <sub>2</sub>	---	0.65	0.70	---	0.026	0.028
A <sub>3</sub>	0.2 REF			0.008 REF		
b	0.15	0.20	0.25	0.006	0.008	0.010
D/E	7.00 BSC			0.276 BSC		
D <sub>2</sub> /E <sub>2</sub>	4.35	4.60	4.85	0.171	0.181	0.191
e	0.40 BSC			0.016 BSC		
L	0.30	0.40	0.50	0.012	0.016	0.020

Notes :

1. CONTROLLING DIMENSION : MILLIMETER(mm).
2. REFERENCE DOCUMENTL : JEDEC MO-220.

**Table 144. Dimensions Notes**

## 9. Ordering Information

Part Number	Package	Status
RTL8821CU-CG	QFN56 , 'Green' Package	Engineering Sample

Table 15. Ordering Information

---

**Realtek Semiconductor Corp.  
Headquarters**

No. 2, Innovation Road II, Hsinchu Science Park,  
Hsinchu 300, Taiwan, R.O.C.

Tel: 886-3-5780211 Fax: 886-3-5776047

[www.realtek.com](http://www.realtek.com)